



Introducing **For Kids** **Big Dög!**

Fun for all to play.

 Great NEW smaller size.

 Great NEW game to play,
NO HAMMER!

Just push the BONE
down, the more balls
you feed the Big Dog
the more you win.

Call BSR or your distributor for more info.



427 15th ST. DAYTONA BEACH • FLORIDA • 32117

Phone 386-677-0761 Fax 386-677-0794

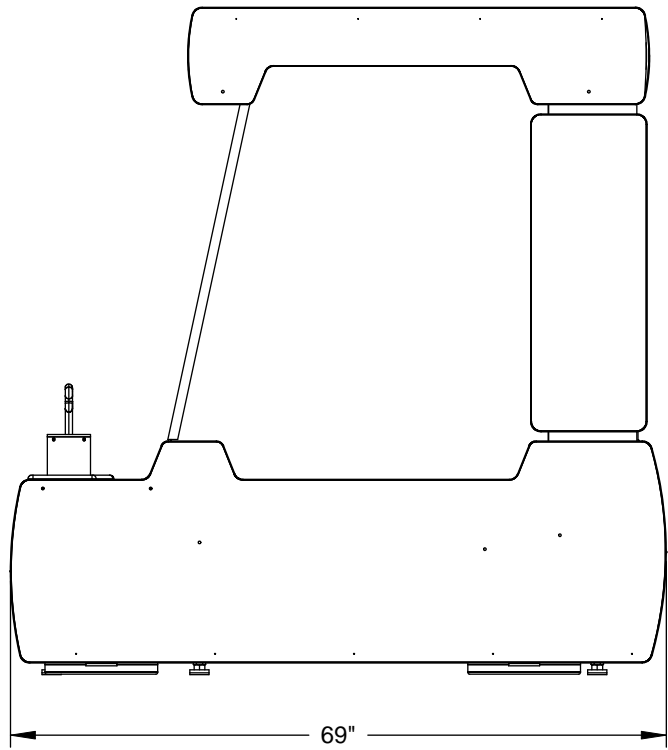
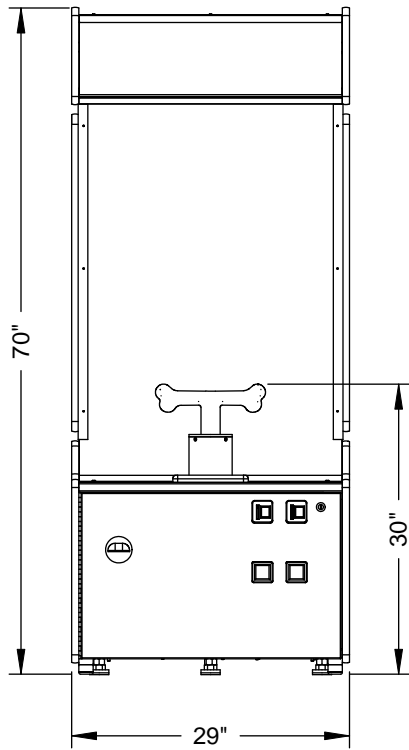
WWW.BOBSSPACERACERS.COM

BD004082708

TM AND © BOBS SPACE RACERS, INC. 2006

AIR COMPRESSOR NOT INCLUDED
REQUIRED: 2 gal. tank capable of supplying
90 CFM @ 90 PSIG

BIG DOG



**ALL PARAMETERS ARE
APPROXIMATE AND SUBJECT TO
CHANGE WITHOUT NOTICE**

Power Requirements	
8 amps	120 V
Crated Dimensions & Weight	
75" Long x 34" Wide x 76" High	
Weight: 597lbs.	

Bob's Space Racers, Inc.

427 15th Street
Daytona Beach, FL 32117
PH: 386-677-0761
FAX: 386-677-0794

Web: <http://www.BobsSpaceRacers.com>
E-mail: Sales@BobsSpaceRacers.com

Serving the amusement industry since 1970